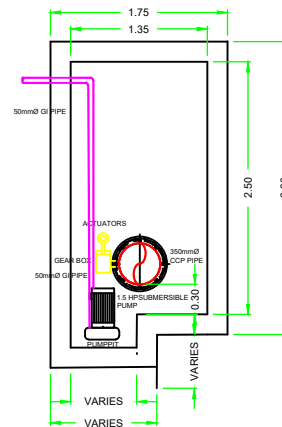
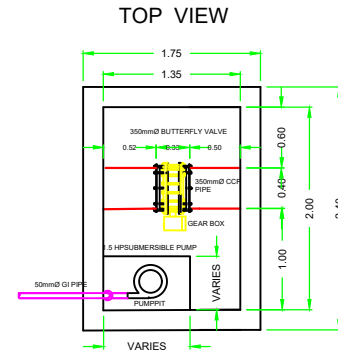
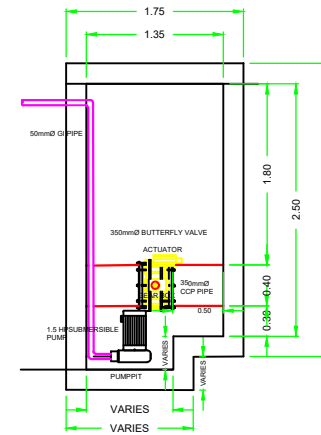


- NOTES:
 1. ALL SIZES AND LOCATION SUBJECT TO CHANGE TO SUIT FIELD CONDITIONS.
 2. THE DESIGNER SHALL NOT BE LIABLE FOR ANY ALTERATION/REVISION ON THE PLANS/DRAWINGS AND SPECIFICATIONS IMPROVED BY THE AUTHORIZED SUPERVISING ENGINEER DONE WITHOUT THEIR KNOWLEDGE THAT MAY IMPAIR STRENGTH OF THE PROJECT.



SIDE ELEVATION VIEW



FRONT VIEW

VAULT FOR 350mmØ ISOLATION VALVE (PHASE 2 - IF NEEDED)

SCALE :

NTS

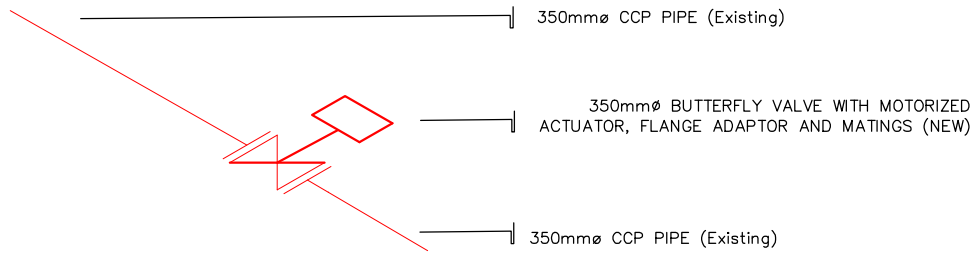


CALAMBA WATER DISTRICT
 ENGINEERING DEPARTMENT
 PLANNING AND DESIGN DIVISION

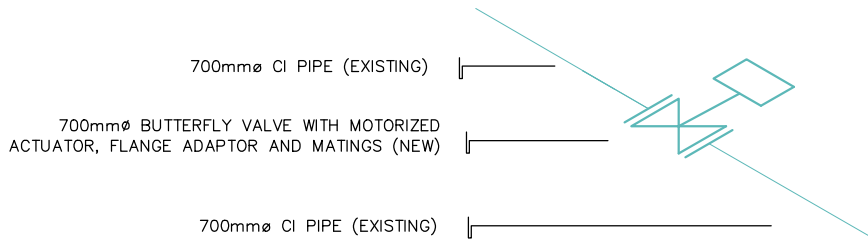
LAKEVIEW SUBD., HALANG, CALAMBA CITY

PROJECT TITLE:	AUTOCAD BY: MR. FERNANDO H. ARELLANO JR.	SHEET CONTENTS:	DATE:
INSTALLATION OF ISOLATION VALVE	DESIGNED BY: MR. FERNANDO H. ARELLANO JR.	AS INDICATED ABOVE	11-18-20
	CHECKED BY: ENGR. RANELY S. CARTAGO		SHEET NO.
LOCATION:	RECOMMENDED BY: ENGR. RANELY S. CARTAGO		BPSI-5
Bucal Pumping Station, Brgy Bucal, Calamba City	APPROVED BY: MR. EXEQUIEL AGUILAR JR.		

This design or drawing is the sole property of Calamba Water District. No part of this design or drawing may be reproduced or transmitted in any form or by any means without the written consent of its owner.

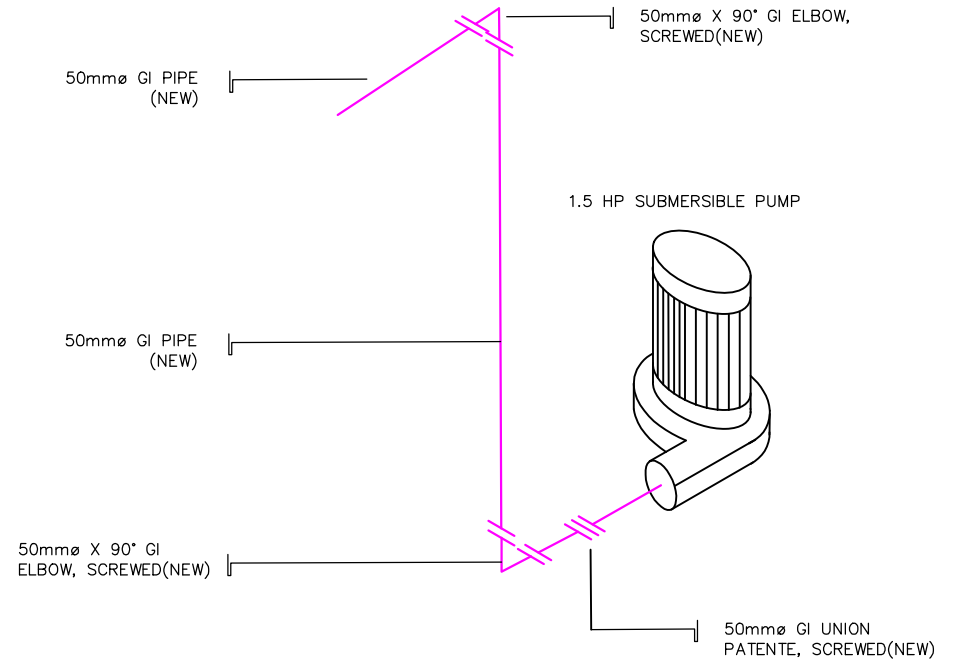


PHASE 2



PHASE 1

ISOLATION VALVES



DEWATERING PUMP

DETAILED DRAWING

SCALE NTS

NOTES:

1. ALL SIZES AND LOCATION SUBJECT TO CHANGE TO SUIT FIELD CONDITIONS.
2. THE DESIGNER SHALL NOT BE LIABLE FOR ANY ALTERATION/REVISION ON THE PLANS/DRAWINGS AND SPECIFICATIONS IMPROVED BY THE AUTHORIZED SUPERVISING ENGINEER DONE WITHOUT THEIR KNOWLEDGE THAT MAY IMPAIR STRENGTH OF THE PROJECT.

LEGEND:

- 700mm ϕ CI PIPE
- 350mm ϕ CCP PIPE



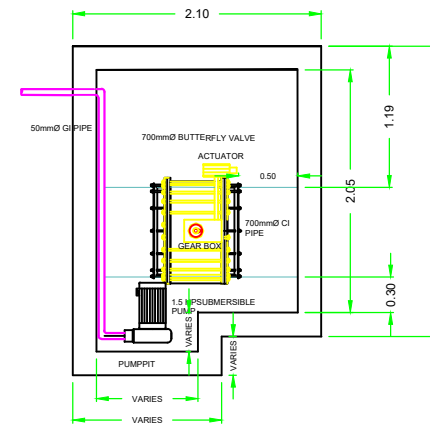
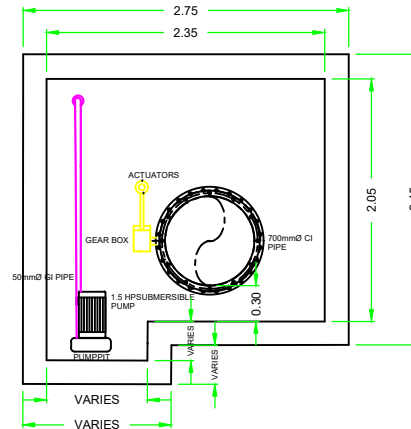
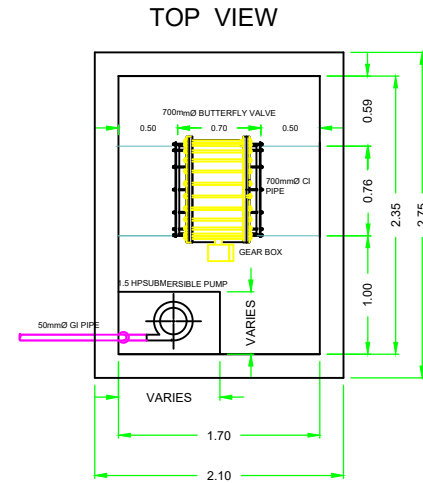
CALAMBA WATER DISTRICT
ENGINEERING DEPARTMENT
PLANNING AND DESIGN DIVISION

LAKEVIEW SUBD., HALANG, CALAMBA CITY

PROJECT TITLE:	AUTOCAD BY: MR. FERNANDO H. ARELLANO JR.
INSTALLATION OF ISOLATION VALVE	DESIGNED BY: MR. FERNANDO H. ARELLANO JR.
	CHECKED BY: ENGR. RANELY S. CARTAGO
LOCATION:	RECOMMENDED BY: ENGR. RANELY S. CARTAGO
Bucal Pumping Station, Brgy Bucal, Calamba City	APPROVED BY: MR. EXEQUIEL AGUILAR JR.

SHEET CONTENTS:	DATE:
AS INDICATED ABOVE	11-17-20
	SHEET NO.
	BPSI-3

- NOTES:
 1. ALL SIZES AND LOCATION SUBJECT TO CHANGE TO SUIT FIELD CONDITIONS.
 2. THE DESIGNER SHALL NOT BE LIABLE FOR ANY ALTERATION/REVISION ON THE PLANS/DRAWINGS AND SPECIFICATIONS IMPROVED BY THE AUTHORIZED SUPERVISING ENGINEER DONE WITHOUT THEIR KNOWLEDGE THAT MAY IMPAIR STRENGTH OF THE PROJECT.



SIDE ELEVATION VIEW

FRONT VIEW

VAULT FOR 700mmØ ISOLATION VALVE(PHASE 1)

SCALE :

NTS



CALAMBA WATER DISTRICT
 ENGINEERING DEPARTMENT
 PLANNING AND DESIGN DIVISION

LAKEVIEW SUBD., HALANG, CALAMBA CITY

PROJECT TITLE:	INSTALLATION OF ISOLATION VALVE
LOCATION:	Bucal Pumping Station, Brgy Bucal, Calamba City

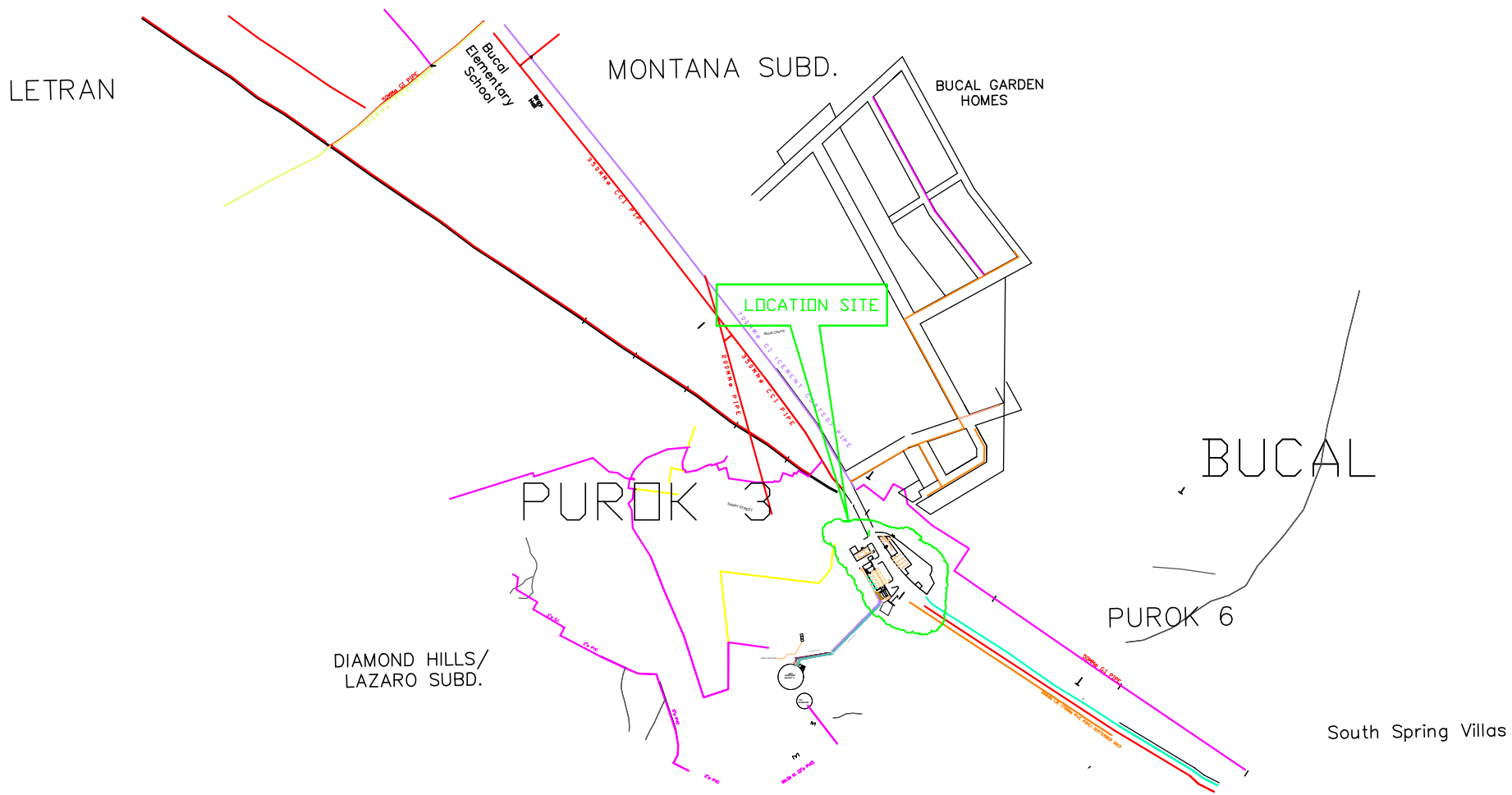
AUTOCAD BY:	MR. FERNANDO H. ARELLANO JR.
DESIGNED BY:	MR. FERNANDO H. ARELLANO JR.
CHECKED BY:	ENGR. RANELY S. CARTAGO
RECOMMENDED BY:	ENGR. RANELY S. CARTAGO
APPROVED BY:	MR. EXEQUIEL AGUILAR JR.

SHEET CONTENTS:	AS INDICATED ABOVE
-----------------	--------------------


DATE:	11-18-20
SHEET NO.	BPSI-4

This design or drawing is the sole property of Calamba Water District. No part of this design or drawing may be reproduced or transmitted in any form or by any means without the written consent of its owner.

This design or drawing is the sole property of Calamba Water District. No part of this design or drawing may be reproduced or transmitted in any form or by any means without the written consent of its owner.



LOCATION PLAN
SCALE NTS

 CALAMBA WATER DISTRICT ENGINEERING DEPARTMENT PLANNING AND DESIGN DIVISION LAKEVIEW SUBD., HALANG, CALAMBA CITY	PROJECT TITLE:	AUTOCAD BY: MR. FERNANDO H. ARELLANO JR.	SHEET CONTENTS:	DATE:
	INSTALLATION OF ISOLATION VALVE	DESIGNED BY: MR. FERNANDO H. ARELLANO JR.	AS INDICATED ABOVE	11-17-20
	LOCATION:	CHECKED BY: ENGR. RANELY S. CARTAGO		SHEET NO.
	Bucal Pumping Station, Brgy Bucal, Calamba City	RECOMMENDED BY: ENGR. RANELY S. CARTAGO		BPSI-1
		APPROVED BY: MR. EXEQUIEL AGUILAR JR.		

This design or drawing is the sole property of Calamba Water District. No part of this design or drawing may be reproduced or transmitted in any form or by any means without the written consent of its owner.

PUROK 3

BUCAL



LEGEND:

- 700mm ϕ CI PIPE
- 350mm ϕ CCP PIPE/200mm ϕ ACP PIPE.
- 350mm ϕ CS PIPE.

NOTES:

1. ALL SIZES AND LOCATION SUBJECT TO CHANGE TO SUIT FIELD CONDITIONS.
2. THE DESIGNER SHALL NOT BE LIABLE FOR ANY ALTERATION/REVISION ON THE PLANS/DRAWINGS AND SPECIFICATIONS IMPROVED BY THE AUTHORIZED SUPERVISING ENGINEER DONE WITHOUT THEIR KNOWLEDGE THAT MAY IMPAIR STRENGTH OF THE PROJECT.

DISTRIBUTION LINE

SCALE 1 : 125



CALAMBA WATER DISTRICT
ENGINEERING DEPARTMENT
PLANNING AND DESIGN DIVISION

LAKEVIEW SUBD., HALANG, CALAMBA CITY

PROJECT TITLE:

INSTALLATION OF ISOLATION VALVE

LOCATION:

Bucal Pumping Station, Brgy Bucal, Calamba City

AUTOCAD BY:

MR. FERNANDO H. ARELLANO JR.

DESIGNED BY:

MR. FERNANDO H. ARELLANO JR.

CHECKED BY:

ENGR. RANELY S. CARTAGO

RECOMMENDED BY:

ENGR. RANELY S. CARTAGO

APPROVED BY:

MR. EXEQUIEL AGUILAR JR.

SHEET CONTENTS:

AS INDICATED
ABOVE

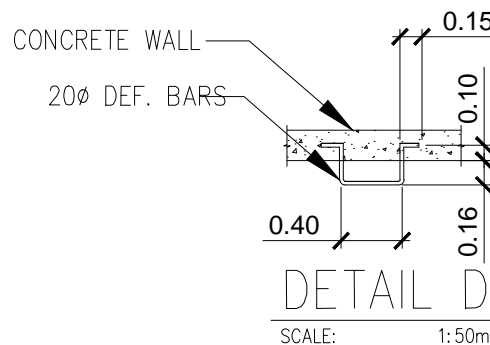
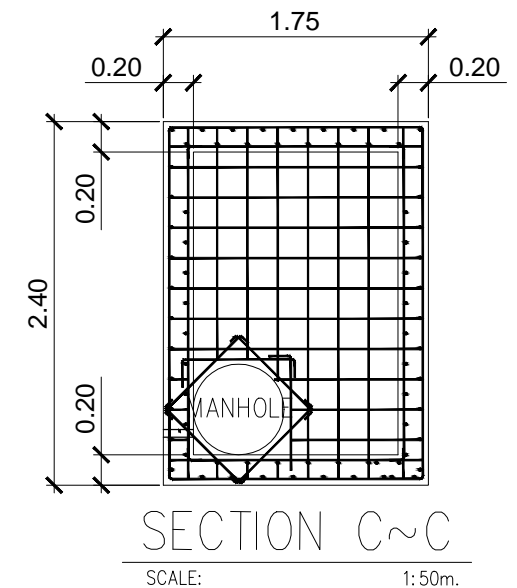
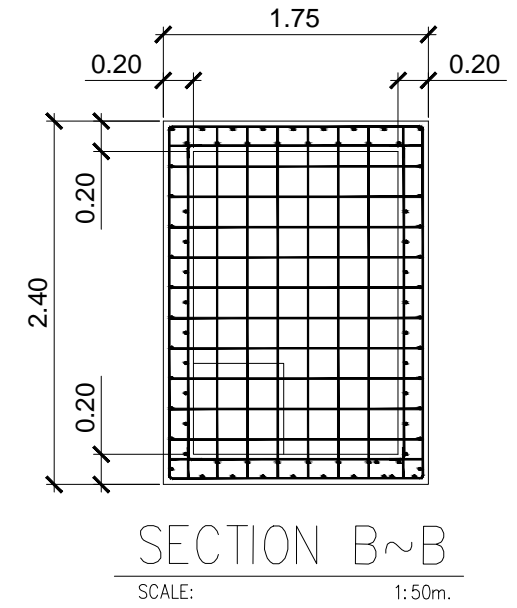
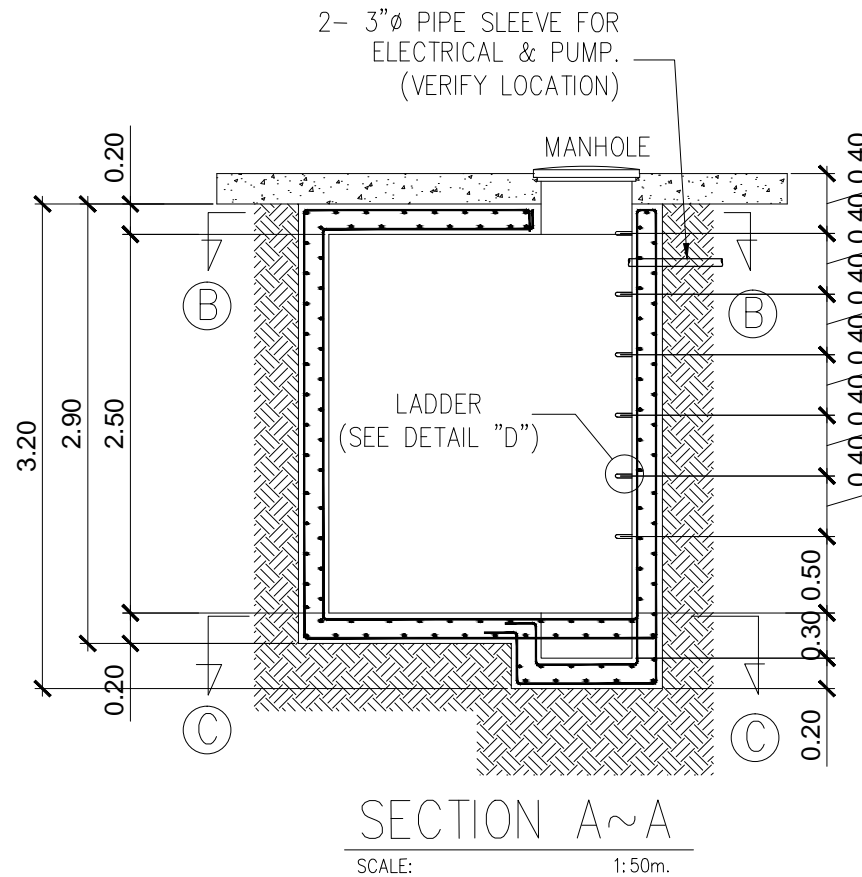
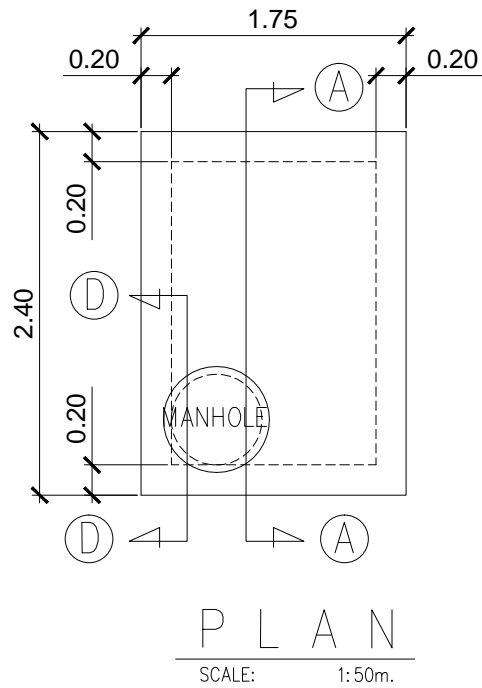
DATE:

11-17-20

SHEET NO.

BPSI-2

This design or drawing is the sole property of Calamba Water District. No part of this design or drawing may be reproduced or transmitted in any form or by any means without the written consent of its owner.



NOTE:

REBARS= $\phi 20$ mm DEF. TOP AND BOTTOM BARS @ 0.20m. ON CENTER BOTHWAYS

NOTES:

1. ALL SIZES AND LOCATION SUBJECT TO CHANGE TO SUIT FIELD CONDITIONS.
2. THE DESIGNER SHALL NOT BE LIABLE FOR ANY ALTERATION/REVISION ON THE PLANS/DRAWINGS AND SPECIFICATIONS IMPROVED BY THE AUTHORIZED SUPERVISING ENGINEER DONE WITHOUT THEIR KNOWLEDGE THAT MAY IMPAIR STRENGTH OF THE PROJECT.



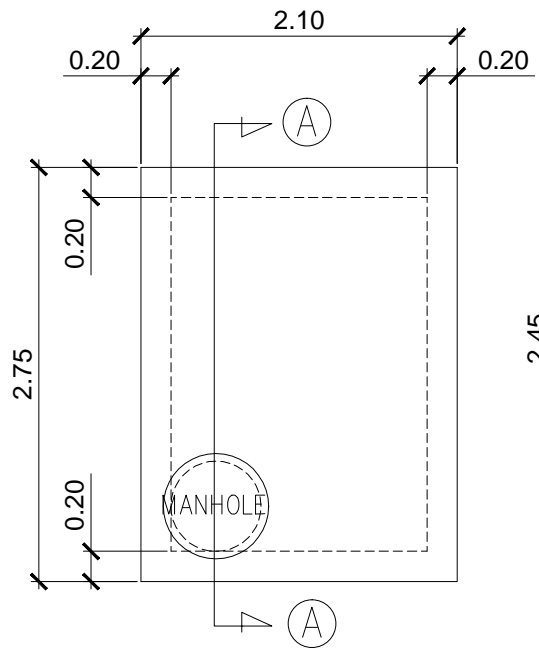
CALAMBA WATER DISTRICT
ENGINEERING DEPARTMENT
PLANNING AND DESIGN DIVISION

LAKEVIEW SUBD., HALANG, CALAMBA CITY

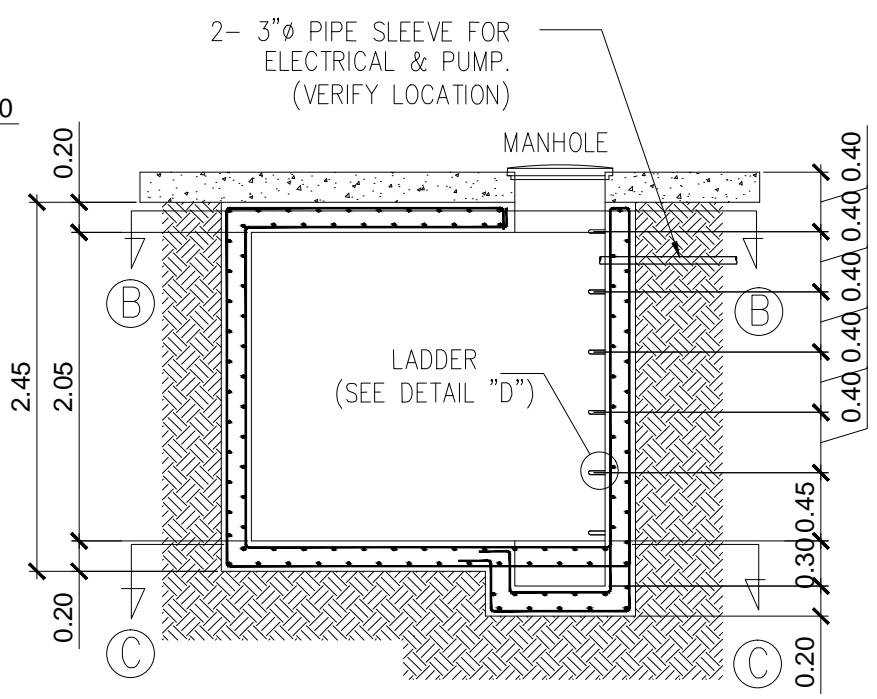
PROJECT TITLE:	AUTOCAD BY:	MR. ANGELO DEL PRADO
PROPOSED CONCRETE VALVE VAULT OF 350mm ϕ PIPE	DESIGNED BY:	MR. ANGELO DEL PRADO
	CHECKED BY:	ENGR. R. CAPITILE
LOCATION:	RECOMMENDED BY:	ENGR. J. GILLERA
Bucal Pumping Station, Brgy Bucal, Calamba City	APPROVED BY:	MR. EXEQUIEL AGUILAR JR.

SHEET CONTENTS:	DATE:
AS INDICATED ABOVE	01-11-21
	SHEET NO.
	BSPI-7

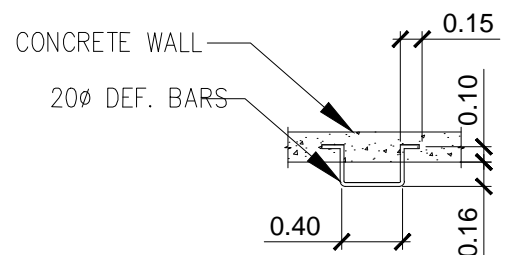
This design or drawing is the sole property of Calamba Water District. No part of this design or drawing may be reproduced or transmitted in any form or by any means without the written consent of its owner.



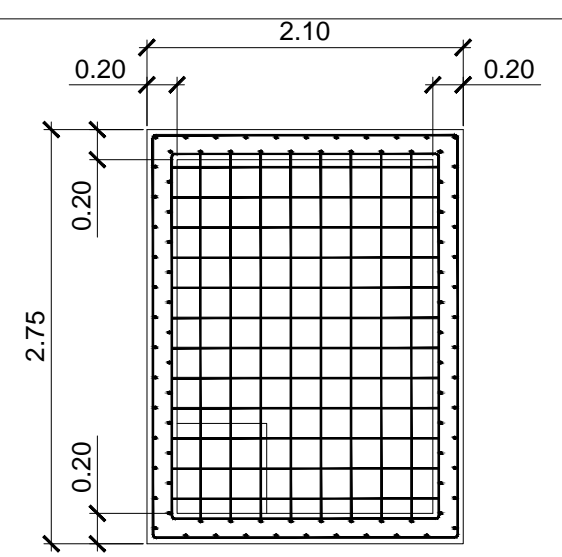
PLAN
SCALE: 1:50m.



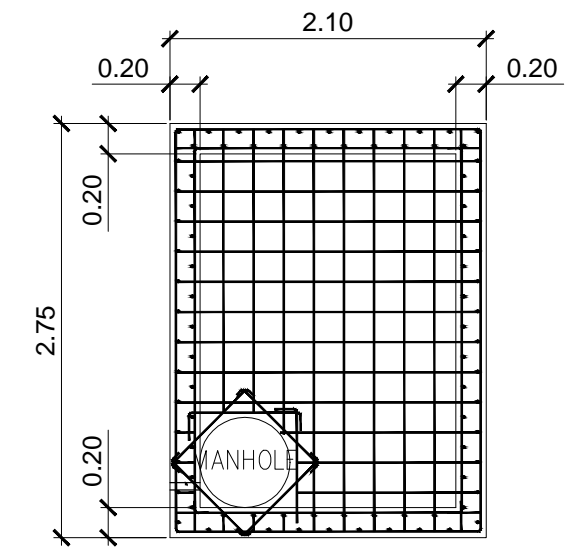
SECTION A~A
SCALE: 1:50m.



DETAIL D
SCALE: 1:50m.



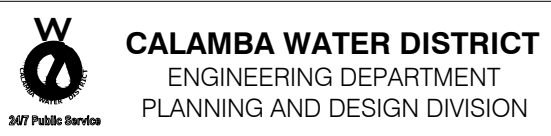
SECTION B~B
SCALE: 1:50m.



SECTION C~C
SCALE: 1:50m.

NOTE:
REBARS= $\phi 20$ mm DEF. TOP AND BOTTOM BARS @ 0.20m. ON CENTER BOTHWAYS

NOTES:
1. ALL SIZES AND LOCATION SUBJECT TO CHANGE TO SUIT FIELD CONDITIONS.
2. THE DESIGNER SHALL NOT BE LIABLE FOR ANY ALTERATION/REVISION ON THE PLANS/DRAWINGS AND SPECIFICATIONS IMPROVED BY THE AUTHORIZED SUPERVISING ENGINEER DONE WITHOUT THEIR KNOWLEDGE THAT MAY IMPAIR STRENGTH OF THE PROJECT.



LAKEVIEW SUBD., HALANG, CALAMBA CITY

PROJECT TITLE:
PROPOSED CONCRETE VALVE VAULT OF 700mm ϕ PIPE

LOCATION:
Bucal Pumping Station, Brgy Bucal, Calamba City

AUTOCAD BY: **MR. ANGELO DEL PRADO**

DESIGNED BY: **MR. ANGELO DEL PRADO**

CHECKED BY: **ENGR. R. CAPITALE**

RECOMMENDED BY: **ENGR. J. GILLERA**

APPROVED BY: **MR. EXEQUIEL AGUILAR JR.**

SHEET CONTENTS:
AS INDICATED ABOVE

DATE:
01-11-21

SHEET NO.
BSPI-6